

QuickFlex®

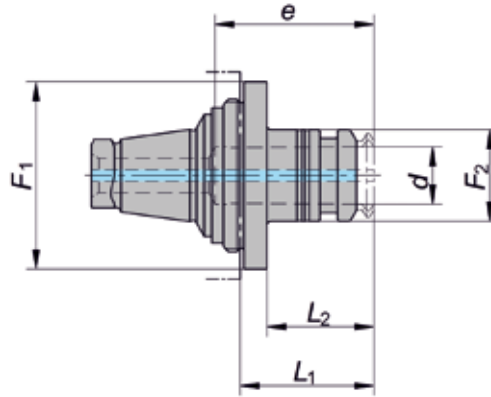
The new quick change system for high performance and precision.

REGO-FIX powRgrip® collet chuck adapter.



Adapters
for
REGO-FIX ▲
powRgrip®

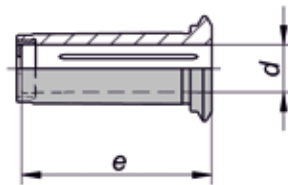
powRgrip® collet chuck adapter for PGST collets



Size	Item No.	F ₁	d min.	d max.	F ₂	L ₁	L ₂	Collet size
ER-25QF	325225P15	49	3	10	24	28	35	PGST 15
ER-32QF	325232P25	58	3	20	40	40	47	PGST 25
ER-40QF	325240P25	71	3	20	40	40	48	PGST 25

Dimensions in mm

powRgrip® PGST collets



Note:
powRgrip® PGST
collets are available
from REGO-FIX.

d	e	PGST	REGO-FIX Item No.
3	28	PGST 15	1715.03006
4	28	PGST 15	1715.04006
6	36	PGST 15	1715.06006
8	36	PGST 15	1715.08006
10	40	PGST 15	1715.10006



d	e	PGST	REGO-FIX Item No.
1/8"	28	PGST 15	1715.03186
3/16"	28	PGST 15	1715.04766
1/4"	36	PGST 15	1715.06356
5/16"	36	PGST 15	1715.07946
3/8"	40	PGST 15	1715.09526



d	e	PGST	REGO-FIX Item No.
3	28	PGST 25	1725.03006
4	28	PGST 25	1725.04006
6	36	PGST 25	1725.06006
8	36	PGST 25	1725.08006
10	40	PGST 25	1725.10006
12	45	PGST 25	1725.12006
16	48	PGST 25	1725.16006
20	48	PGST 25	1725.20006

Dimensions in mm

d	e	PGST	REGO-FIX Item No.
1/8"	28	PGST 25	1725.03186
3/16"	28	PGST 25	1725.04766
1/4"	36	PGST 25	1725.06356
5/16"	36	PGST 25	1725.07946
3/8"	40	PGST 25	1725.09526
1/2"	45	PGST 25	1725.12706
5/8"	48	PGST 25	1725.15886
3/4"	48	PGST 25	1725.19056

Dimensions in inch

REGO-FIX powRgrip®

- The powRgrip® system:
- | Highly precise powRgrip® collet
 - | QuickFlex® powRgrip® collet chuck adapter
 - | powRgrip® clamping unit (PGU/PGC) (automatic or manual)



Tool



REGO-FIX powRgrip® collet



QuickFlex® REGO-FIX powRgrip® collet chuck adapter

SIMPLE

| Tool is clamped in 8 seconds by pushing only one single button.

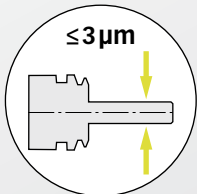
SAFE

| No heat up – high clamping force.

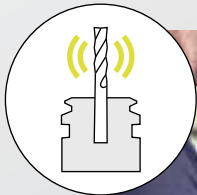
powRgrip®

| The tool clamping system of today and the future.

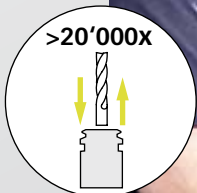
Total system runout
TIR ≤ 3 µm at 3 x D.



Excellent vibration dampening.

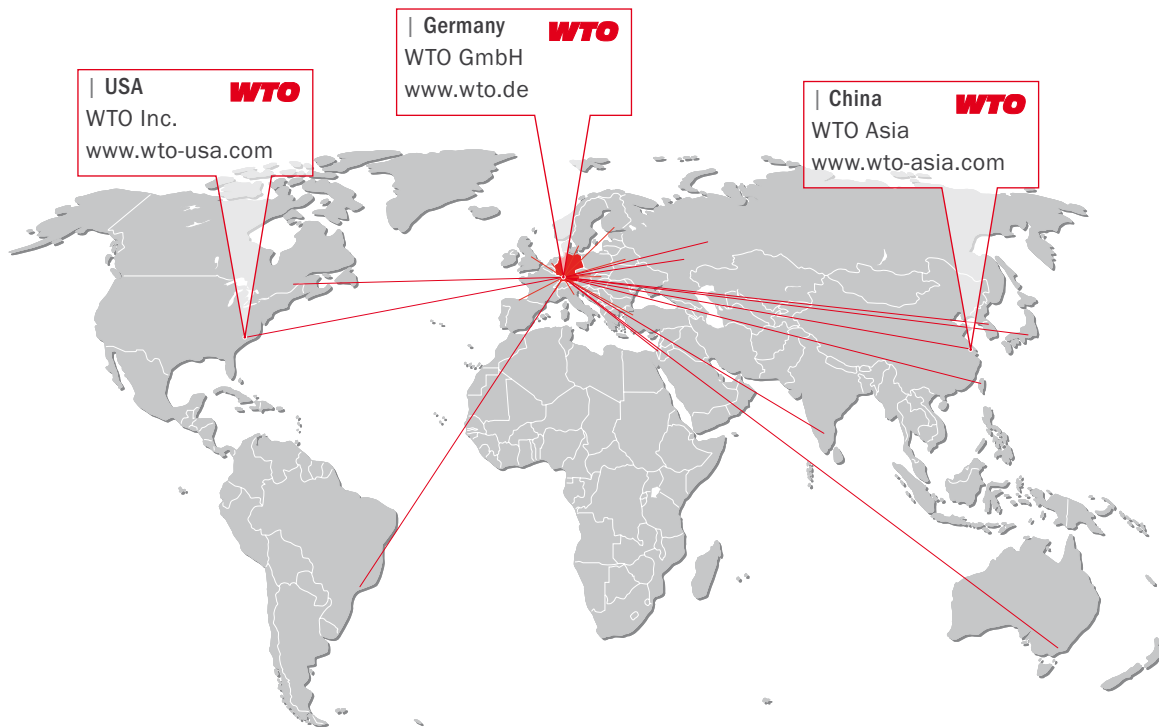


Maximum clamping force and low runout, even after 20,000 tool changes.



Tool ready for use in 8 seconds.





WTO GmbH
Auf der oberen Au 45
77797 Ohlsbach
Germany

WTO USA
13900 S Lakes Dr Ste F
Charlotte NC 28273-7119
USA

WTO Asia
Room 109-110, Building 2
No. 228 Banting Road
Jiuting Town,
Songjiang District
201615 Shanghai
China

Our distribution partners. Competence right there.

| **Australia**
Dimac Tooling Ltd.
sales@dimac.com.au

| **Finland**
Suomen Terätuonti Oy
myynti@stt.as

| **Korea**
WTO Office Korea
is.chon@wto-korea.com

| **Slovakia**
ALBA precision s.r.o.
albaprecision@albaprecision.sk

| **Belarus**
JSC "PMI Engineering"
tool@pmi.by

| **France**
Philippe Tagliafero
pta@wto.de

| **Mexico**
Workholding Engineering De México
info@wem.com.mx

| **Spain**
ITALMATIC, S.A.
italmatic@italmatic.es

| **Brazil**
TF2
tfdois@tfdois.com.br

| **Great Britain**
Cutwel Ltd.
sales@cutwel.net

| **Netherlands**
Toologic BeNeLux B.V.
info@toologic-benelux.nl

| **Sweden**
Komet Scandinavia AB
scandinavia@kometgroup.com

| **Canada**
Mittmann Industrial Inc.
info@mittmann.com

| **India**
A.H. Rao
ahr.rao@gmail.com

| **Norway**
Helge Karlsen Verktøy og Maskin AS
hkvm@hkvm.no

| **Switzerland**
Utilis AG
info@utilis.com

| **China**
Shanghai Gangde
wtocando@yahoo.com

| **Israel**
E.Y.A.R. Ltd.
yehoshua@eyar.co.il

| **Poland**
ARCO Andrzej Rudenko
info@arcotools.pl

| **Taiwan**
Kaiko Co., Ltd.
info@kaiko.com.tw

| **Czech Republic**
ALBA precision, spol. s.r.o.
info@albaprecision.cz

| **Italy**
Prymark srl
commerciale@prymark.it

| **Romania**
SC Elif Trading SRL
bulent.ozkan@eliftrading.com

| **Turkey**
MYK CNC MAKINA SAN. VE
huseyin.tatlidil@mykcnc.com.tr

| **Denmark**
Tool-part
cj@tool-part.dk

| **Japan**
NK Works Co. Ltd.
k_samba@nk-works.co.jp

| **Russia**
WTO Office Russia
office@wto-russia.com

| **Ukraine**
„LLC“ SPA Stankopromimport
info@phoenix-ua.com